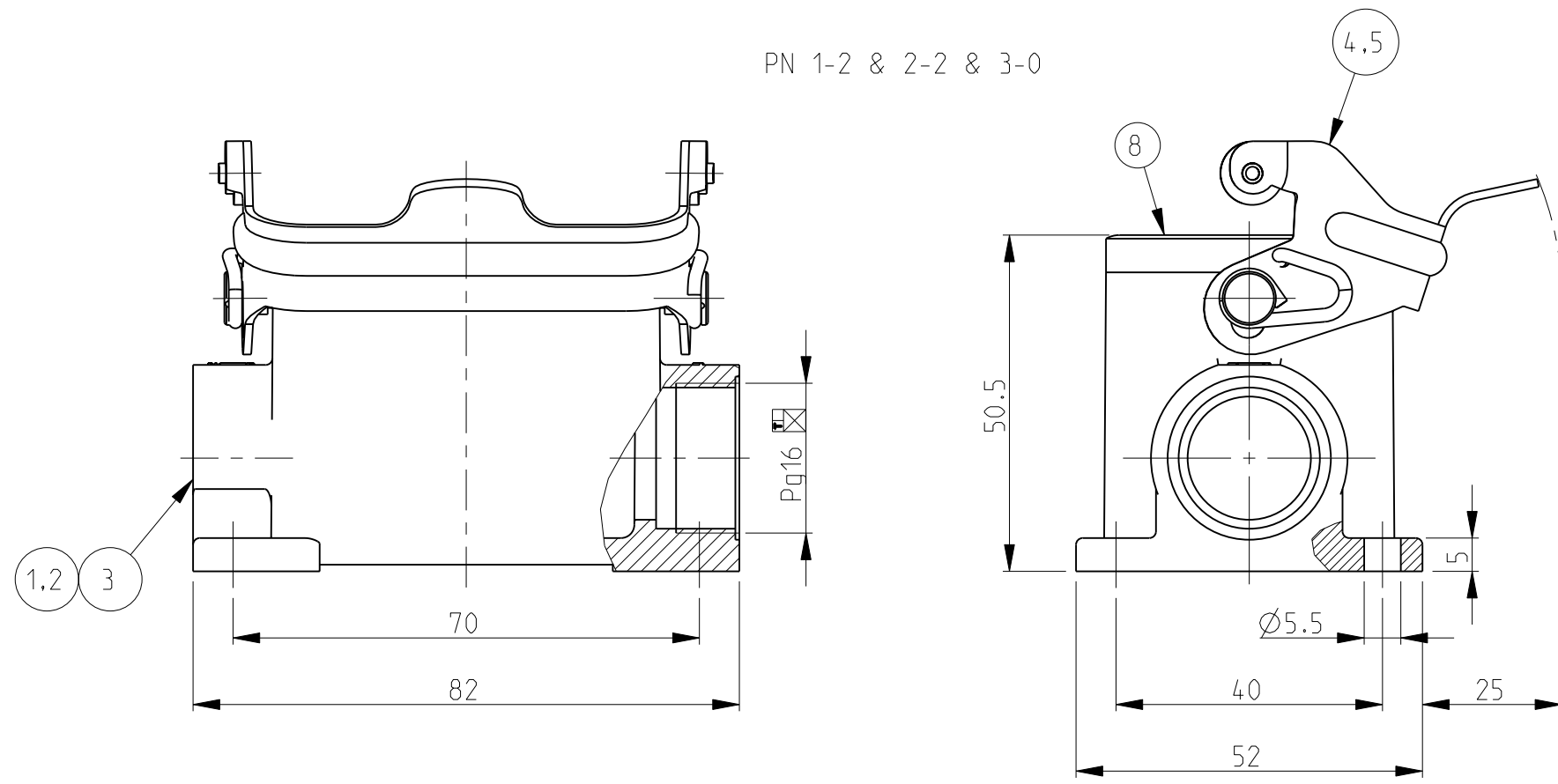


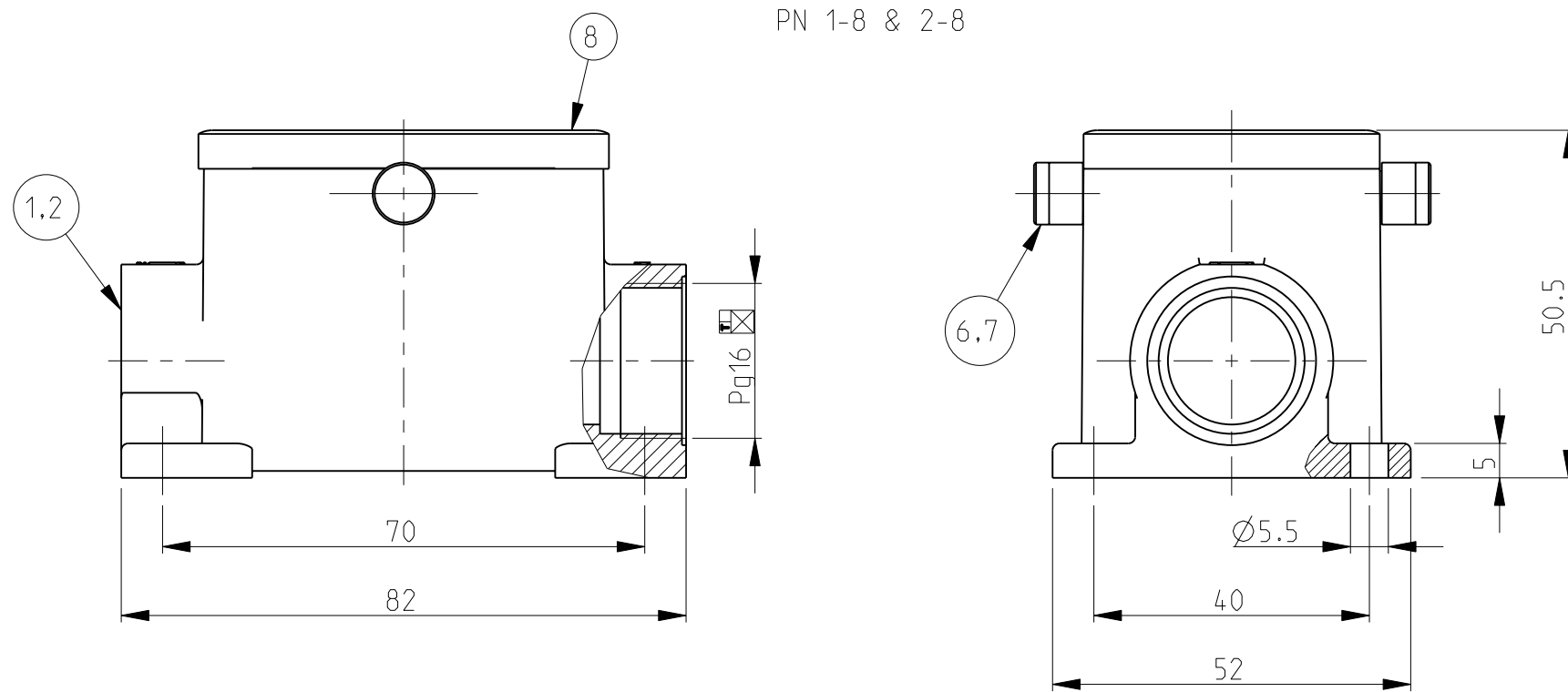
THIS DRAWING IS UNPUBLISHED. RELEASED FOR PUBLICATION .1997
 © COPYRIGHT 1997 BY TYCO ELECTRONICS CORPORATION. ALL RIGHTS RESERVED.

LOC	DIST	REVISIONS			
P	LTR	DESCRIPTION	DATE	DWN	APVD
A3	-	Released as per ECR-08-019772	04.Sep.2008	SP	TS

PN 1-2 & 2-2 & 3-0

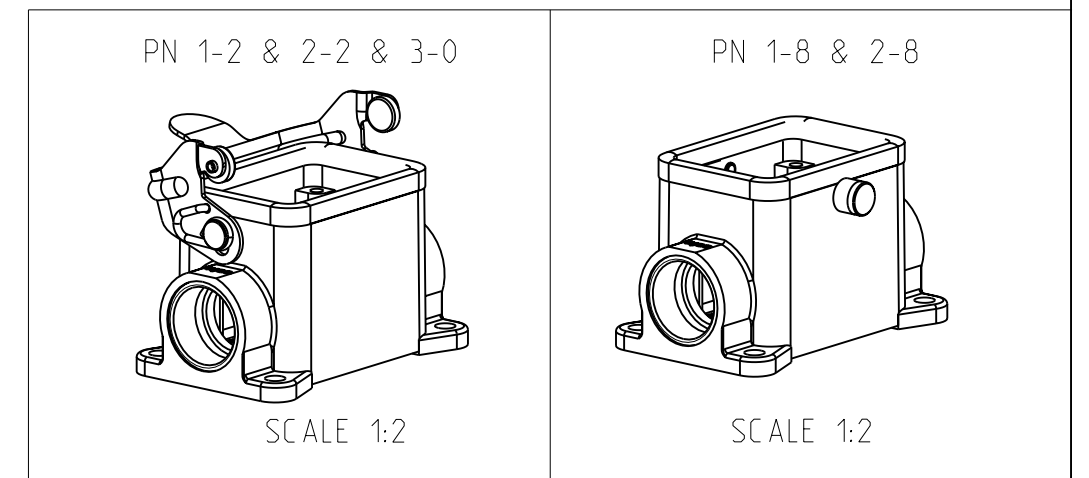


PN 1-8 & 2-8



NOTES.

- 1 Material:Housing:Aluminium Diecasting Alloy
Seals:Neoprene
- 2 Surface:Varnish grey
-Aluminium Oxide +Varnish Black
- 3 Varnish on the inside not necessary
- 4 Packaging
Quantity 5 Pieces in a box



QTY	DESCRIPTION	MATERIAL	SURFACE	COLOR	ITEM NO	NOTES
1	Profile seal	Neoprene		Black RAL 9005	8	
2	ZB-Clip bolt	Stainless steel			7	
2	ZB-Clip bolt	Steel	Zinc plated	Blue	6	
1	LB-Side clip finished product	Stainless steel			5	
1	LB-Side clip finished product	Steel	Zinc plated	Blue	4	
1	Surface mounted housing side entry HB.6.16.Z	Aluminium		No varnish	3	
1	Surface mounted housing side entry HB.6.16.Z	Aluminium	Aluminium oxide	Black RAL 9005	2	
1	Surface mounted housing side entry HB.6.16.Z	Aluminium		Grey RAL 7001	1	

QTY	DESCRIPTION	MATERIAL	SURFACE	COLOR	ITEM NO	NOTES
3-0	2-8	1-8	2-2	1-2		
ORDERING TEXT						
HB.6.SG-LB.1.16.Z						
HB-K.6.SG-LB.1.16.Z						
HB-Z.6.SG-ZVGR.1.16.Z						
HB-K/Z.6.SG-ZVGR.1.16.Z						
HB.6.SG-LB.1.16.Z-S0						

<small>THIS DRAWING IS A CONTROLLED DOCUMENT FOR TYCO ELECTRONICS CORPORATION IT IS SUBJECT TO CHANGE AND THE CONTROLLING ENGINEERING ORGANIZATION SHOULD BE CONTACTED FOR THE LATEST REVISION.</small>		DWN Schneider 08.12.1998 CHK Schneider 08.12.1998 APVD - PRODUCT SPEC - APPLICATION SPEC - WEIGHT - CUSTOMER DRAWING	Tyco Electronics,AMP.GmbH D-53757 Sankt Augustin,Germany Tyco Electronics NAME Surface mounted housing side entry Assy HB.6.SG.1.16.Z SIZE A2 CAGE CODE 00779 DRAWING NO 1102249 RESTRICTED TO - SCALE 1:1 SHEET 1 OF 1 REV A3
DIMENSIONS: mm 	TOLERANCES UNLESS OTHERWISE SPECIFIED: h ISO 8075 H ISO 2768-MS R DIN 16901-120 0 PLC ± 1 PLC ± 2 PLC ± 3 PLC ± 4 PLC ± ANGLES ± FINISH	MATERIAL -	